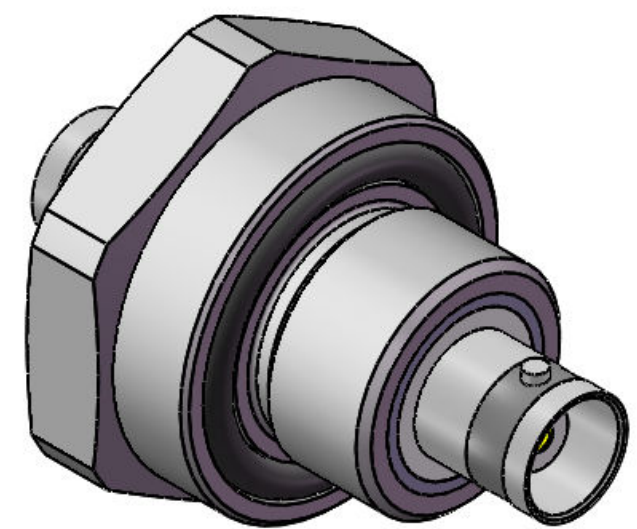
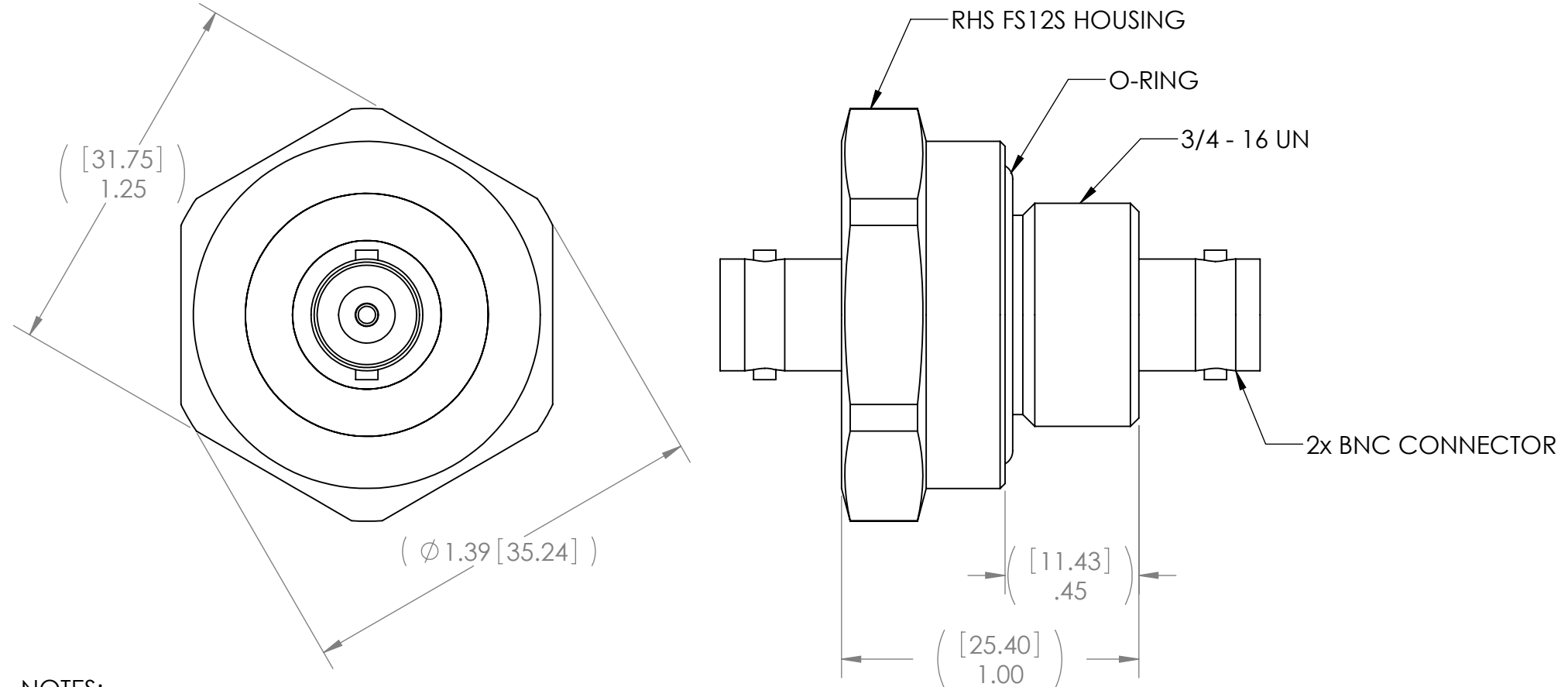


RoHS COMPLIANT

REVISIONS				
ZONE	REV.	DESCRIPTION	DATE	APPROVED
	A	ADDED LEAKTEST OPTION #8	20-Feb-09	BS
	B	ADDED LEAKTEST OPTION #9	31-Mar-19	MN



- NOTES:
- PART TESTED PER PART NUMBER AND HERMETIC SEAL SPECIFICATIONS.
 - SEE SECOND PAGE** FOR COMPLETE HOUSING DIMENSIONS, OTHER FS12 HOUSING SIZES, AND INSTALLATION METHODS.
 - CUSTOM SIZES, MATERIALS, & TESTS AVAILABLE, PLEASE CONTACT RHS FOR MORE INFORMATION.
 - DIMENSIONS INCHES [MILLIMETERS], MILLIMETERS SHOWN FOR REFERENCE ONLY.

SAMPLE RHS PART#CCBNCFS12-SA130V1

DETERMINING RHS PART#

- CC=CONNECTOR TO CONNECTOR SEALS
- BNC=STANDARD BNC CONNECTORS
- FS12=STANDARD RHS FACE SEAL HOUSING WITH 3/4 - 16 UN THREAD
- S=.45 LONG THREAD OR M=.75 LONG THREAD
- HOUSING MATERIAL:
S6=316 STAINLESS STEEL, A1=6016 ALUMINUM, B1=BRASS, I6=600 INCOLNEL, OR T2=GRADE 2 TITANIUM
- LEAK TESTING:
 - 1=HELIUM LEAK TEST @ 1 ATM 10X10⁻⁸ STD-CC/SEC OR BETTER
 - 2=100 PSI(6.9 BAR) AIR ON THREAD SIDE OF O-RING NO BUBBLES
 - 3=100 PSI(6.9 BAR) AIR ON HEX SIDE OF O-RING NO BUBBLES
 - 4=1000 PSI(69 BAR) AIR ON THREAD SIDE OF O-RING NO BUBBLES
 - 5=1000 PSI(69 BAR) AIR ON HEX SIDE OF O-RING NO BUBBLES
 - 6=2500 PSI(172 BAR) AIR ON THREAD SIDE OF O-RING NO BUBBLES
 - 7=5000 PSI(345 BAR) AIR ON HEX SIDE OF O-RING NO BUBBLES
 - 8=3500 PSI(243 BAR) AIR ON THREAD SIDE OF O-RING NO BUBBLES & HELIUM LEAK TEST @ 1 ATM 10x10⁻⁹ STD-CC/SEC OR BETTER
 - 9=HELIUM LEAK TEST @ 1 ATM 10X10⁻⁹ STD-CC/SEC OR BETTER
- 0=BNC BODY ISOLATED FROM HOUSING OR 1=BNC BODY CONNECTED (SHORTED) TO HOUSING <200mOhms
- O-RING MATERIAL:
A=POLYACRYLATE, B=BUTYL, C=CLOROPRENE, E=ETHYLENE-PROPYLENE, G=STYRENE BUTADIENE, L=FLUOROSILICONE, N=ACRYLONITRILE BUTADIENE (NITRILE), P=POLYURETHANE, S=SILICONE, V=FLUOROCARBON (VITON), Y=EPICHLOROHYDRIN, Z=EXOTIC OR SPECIALTY
- 0=ASSEMBLY SHIPPED WITH JAM NUT OR 1=ASSEMBLY SHIPPED W/O JAM NUT

HERMETIC SEAL SPECIFICATIONS	
LEAK:	
LEAK TEST	SEE RHS PART#
ELECTRICAL:	
IMPEDANCE	50 Ohms
INSULATION RESISTANCE TEST (CONDUCTOR TO CONDUCTOR)	>500 MOhms @ 500 VDC
CONDUCTOR END TO END RESISTANCE TEST	<50 mOhms
ENVIRONMENTAL:	
TEMPERATURE RANGE (O-RING DEPENDANT)	-55°C TO 125°C (-67°F TO 221°F)

UNLESS OTHERWISE SPECIFIED:
 DIMENSIONS ARE IN INCHES
 TOLERANCES:
 FRACTIONAL ±1/16
 ANGULAR ±.5
 X. ±1 .X ±.1
 .XX ±.02 .XXX ±.005
 DIMENSIONS ARE SUBJECT TO CHANGE WITHOUT NOTICE

INTERPRET GEOMETRIC TOLERANCING PER:
 MATERIAL: SEE PART#
 FINISH: N/A

DO NOT SCALE DRAWING

	NAME	DATE
DRAWN		
CHECKED		
ENG APPR.		
MFG APPR.		
Q.A.		

TITLE:
HERMETIC CONNECTOR BNC

SIZE	DWG. NO.	REV
B	CCBNCFS12	B

SCALE: 2:1 WEIGHT: SHEET 1 OF 1