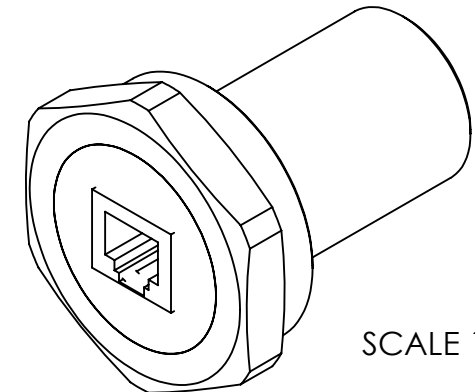
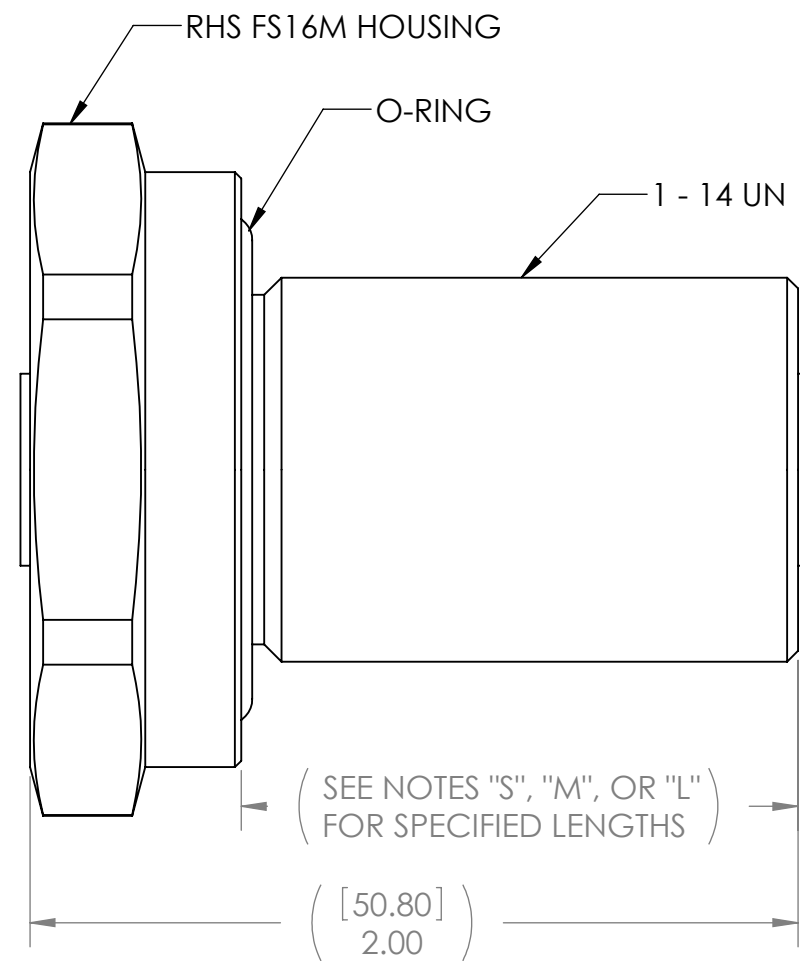
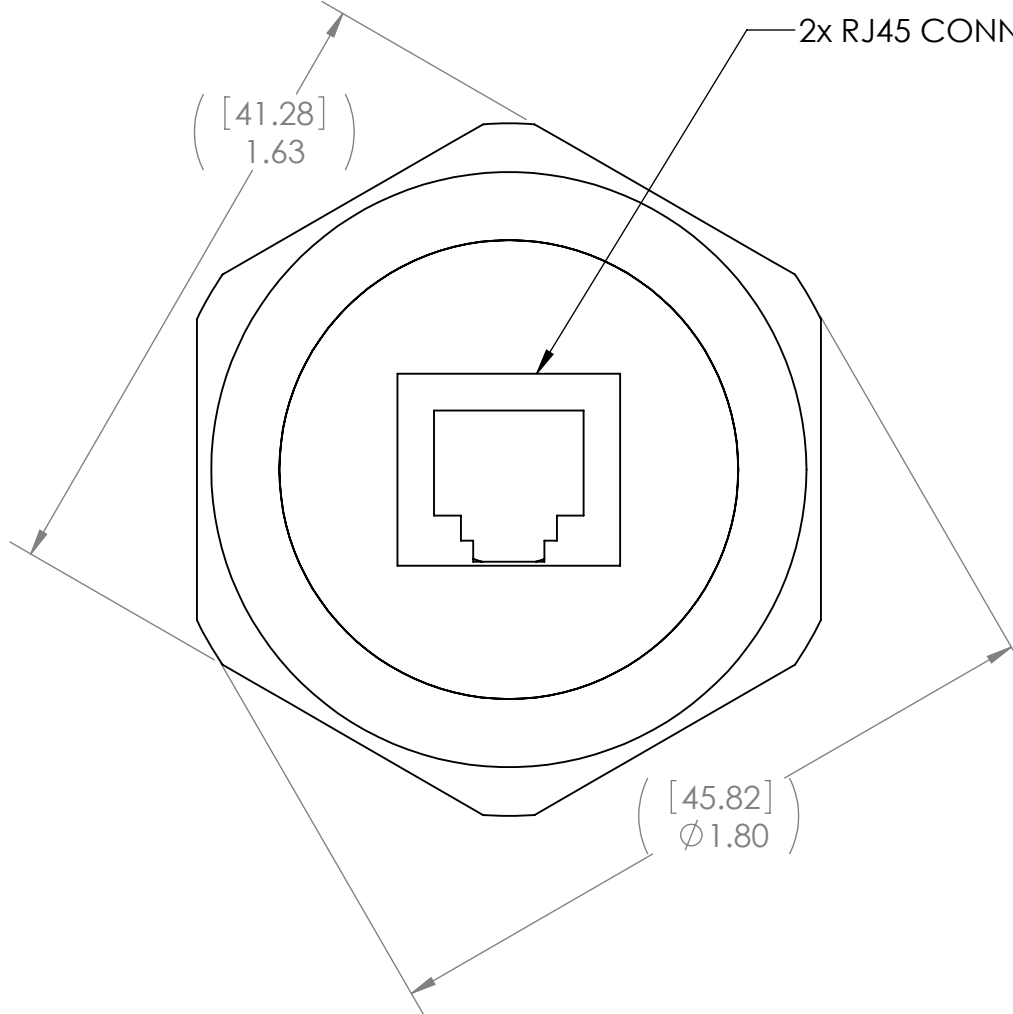


RoHS COMPLIANT

REVISIONS				
ZONE	REV.	DESCRIPTION	DATE	APPROVED
	A	ADDED PINOUT TABLE	12/20/2010	BS
	B	CORRECTED TABLE	12/21/2010	BS
	C	ADDED "L" VERSION HOUSING TO NOTE AND DESCRIPTION	11/17/2021	MN



PINOUT	
PIN HEX SIDE	PIN THREAD SIDE
1	1
2	2
3	3
4	4
5	5
6	6
7	7
8	8

SAMPLE RHS PART# CCRJ45FS16-LA130V1

DETERMINING RHS PART#

- **CC**=CONNECTOR TO CONNECTOR SEALS
- **RJ45**=STANDARD RJ45 CONNECTORS
- **FS16**=STANDARD RHS FACE SEAL HOUSING WITH 1 - 14 UN THREAD
- **S**=.45 LONG THREAD OR **M**=.95 LONG THREAD OR **L**=1.45 LONG THREAD
- **HOUSING MATERIAL:**
S6=316 STAINLESS STEEL, **A1**=6016 ALUMINUM, **B1**=BRASS, **I6**=600 INCOLNEL, OR **T2**=GRADE 2 TITANIUM
- **LEAK TESTING:**
 - **1**=HELIUM LEAK TEST @ 1 ATM 10X10⁻⁸ STD-CC/SEC OR BETTER
 - **2**=100 PSI(6.9 BAR) AIR ON THREAD SIDE OF O-RING NO BUBBLES
 - **3**=100 PSI(6.9 BAR) AIR ON HEX SIDE OF O-RING NO BUBBLES
 - **4**=1000 PSI(69 BAR) AIR ON THREAD SIDE OF O-RING NO BUBBLES
 - **5**=1000 PSI(69 BAR) AIR ON HEX SIDE OF O-RING NO BUBBLES
 - **6**=2500 PSI(172 BAR) AIR ON THREAD SIDE OF O-RING NO BUBBLES
 - **7**=5000 PSI(345 BAR) AIR ON HEX SIDE OF O-RING NO BUBBLES
 - **8**=3500 PSI(243 BAR) AIR ON THREAD SIDE OF O-RING NO BUBBLES & HELIUM LEAK TEST @ 1 ATM 10x10⁻⁹ STD-CC/SEC OR BETTER
 - **9**=HELIUM LEAK TEST @ 1 ATM 10X10⁻⁹ STD-CC/SEC OR BETTER
- **O**=RJ45 BODY ISOLATED FROM HOUSING OR **1**=RJ45 BODY CONNECTED (SHORTED) TO HOUSING <200mOhms
- **O-RING MATERIAL:**
A=POLYACRYLATE, **B**=BUTYL, **C**=CLOROPRENE, **E**=ETHYLENE-PROPYLENE, **G**=STYRENE BUTADIENE, **L**=FLUOROSILICONE, **N**=ACRYLONITRILE BUTADIENE (NITRILE), **P**=POLYURETHANE, **S**=SILICONE, **V**=FLUOROCARBON (VITON), **Y**=EPICHLOROHYDRIN, **Z**=EXOTIC OR SPECIALTY
- **0**=ASSEMBLY SHIPPED WITH JAM NUT OR **1**=ASSEMBLY SHIPPED W/O JAM NUT

NOTES:

1. PART TESTED PER PART NUMBER AND HERMETIC SEAL SPECIFICATIONS.
2. CUSTOM SIZES, MATERIALS, & TESTS AVAILABLE, PLEASE CONTACT RHS FOR MORE INFORMATION.
3. DIMENSIONS INCHES [MILLIMETERS], MILLIMETERS SHOWN FOR REFERENCE ONLY.

HERMETIC SEAL SPECIFICATIONS	
LEAK:	
LEAK TEST	SEE RHS PART#
ELECTRICAL:	
INSULATION RESISTANCE TEST (CONDUCTOR TO CONDUCTOR)	>500 MOhms @ 500 VDC
CONDUCTOR END TO END RESISTANCE TEST	<50 mOhms
ENVIRONMENTAL:	
TEMPERATURE RANGE (LOW TEMP O-RING DEPENDANT)	-55°C TO 85°C (-67°F TO 185°F)

UNLESS OTHERWISE SPECIFIED:
 DIMENSIONS ARE IN INCHES
 TOLERANCES:
 FRACTIONAL ±1/16
 ANGULAR ±.5
 X. ±1 .X ±.1
 .XX ±.02 .XXX ±.005
 DIMENSIONS ARE SUBJECT TO CHANGE WITHOUT NOTICE

INTERPRET GEOMETRIC TOLERANCING PER:
 MATERIAL: SEE PART#
 FINISH: N/A
 DO NOT SCALE DRAWING

	NAME	DATE
DRAWN	MM	7/15/2010
CHECKED	BS	7/15/2010
ENG APPR.		
MFG APPR.		
Q.A.		



TITLE: HERMETIC CONNECTOR RJ45		
SIZE B	DWG. NO. CCRJ45FS16	REV C
SCALE: 2:1	WEIGHT:	SHEET 1 OF 1

PROPRIETARY AND CONFIDENTIAL
 THE INFORMATION CONTAINED IN THIS DRAWING IS THE SOLE PROPERTY OF RELIABLE HERMETIC SEALS. ANY REPRODUCTION IN PART OR AS A WHOLE WITHOUT THE WRITTEN PERMISSION OF RELIABLE HERMETIC SEALS IS PROHIBITED.