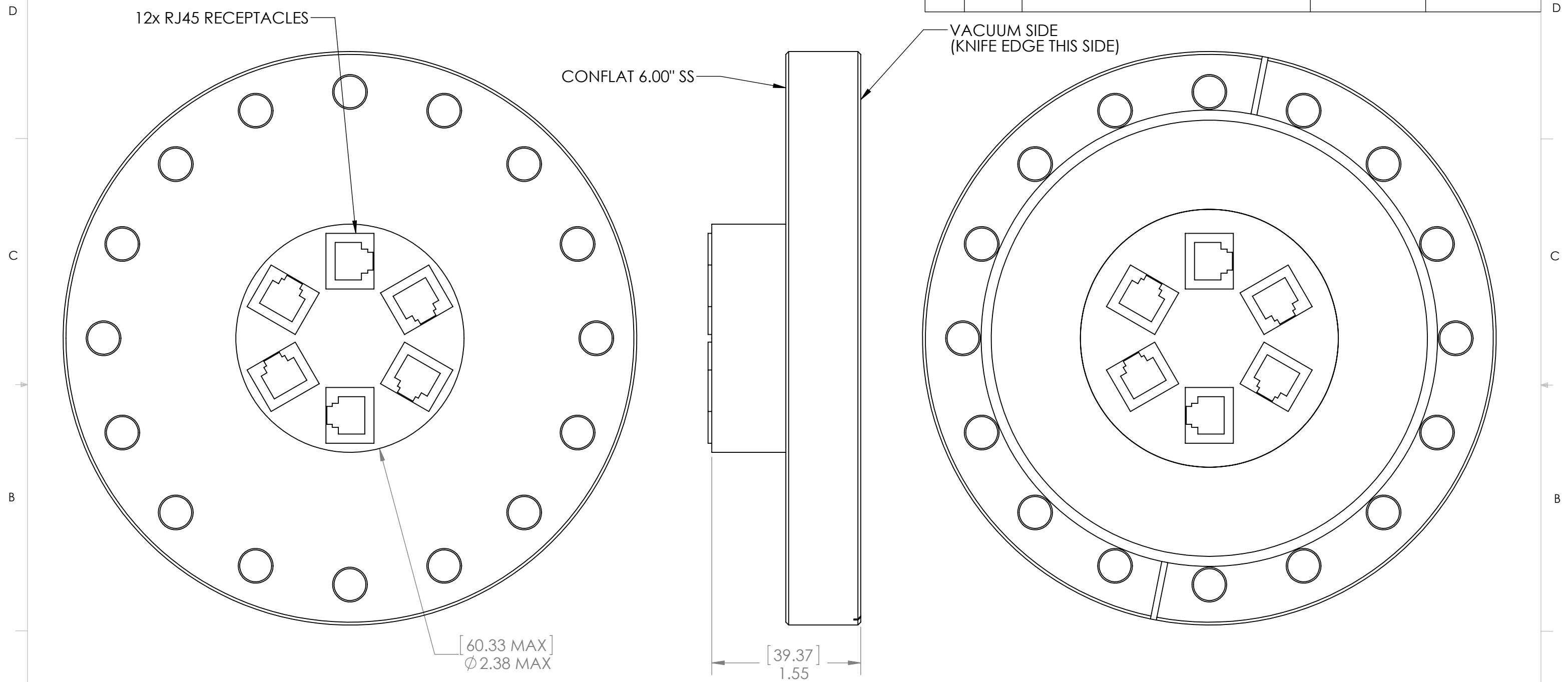



8 7 6 5 4 3 2 1

REVISIONS				
ZONE	REV.	DESCRIPTION	DATE	APPROVED
	A	INITIAL RELEASE	17DEC2018	BS



- NOTES:
1. HELIUM LEAK TEST @ 1 ATM 1X10⁻⁸ STD-CC/SEC OR BETTER, VACUUM ON O-RING SIDE.
 2. HYPOT 500VDC 500 MEGOHMS .01 SECOND MINIMUM. TEST EACH PIN TO ALL OTHER PINS, SHIELD, AND FLANGE.
 3. SEAL OPERATING TEMPERATURE -20C TO 130C (CONNECTOR LIMITED TO 85C).
 4. DIMENSIONS ARE INCHES [MILLIMETERS], MILLIMETERS SHOWN FOR REFERENCE ONLY.
 5. CUSTOM SIZES, WIRE OR FIBER OPTIC CONFIGURATIONS, & TESTS AVAILABLE, PLEASE CONTACT RHS FOR MORE INFORMATION.

UNLESS OTHERWISE SPECIFIED:	NAME	DATE	
DIMENSIONS ARE IN INCHES	DRAWN	MM 17DEC18	
TOLERANCES:	CHECKED	BS 17DEC18	
FRACTIONAL ±1/16	ENG APPR.	MM 17DEC18	
ANGULAR ±.5	MFG APPR.		
X. ±1 .X ±.1	Q.A.		TITLE: CONNECTOR SEAL CF100 SS (6)RJ45-RJ45
.XX ±.02 .XXX ±.005	PROPRIETARY AND CONFIDENTIAL THE INFORMATION CONTAINED IN THIS DRAWING IS THE SOLE PROPERTY OF RELIABLE HERMETIC SEALS. ANY REPRODUCTION IN PART OR AS A WHOLE WITHOUT THE WRITTEN PERMISSION OF RELIABLE HERMETIC SEALS IS PROHIBITED.		SIZE B
INTERPRET GEOMETRIC TOLERANCING PER:	DWG. NO. 80176		REV A
MATERIAL	SCALE: 1:1		SHEET 1 OF 1
FINISH	WEIGHT:		
DO NOT SCALE DRAWING			

8 7 6 5 4 3 2 1