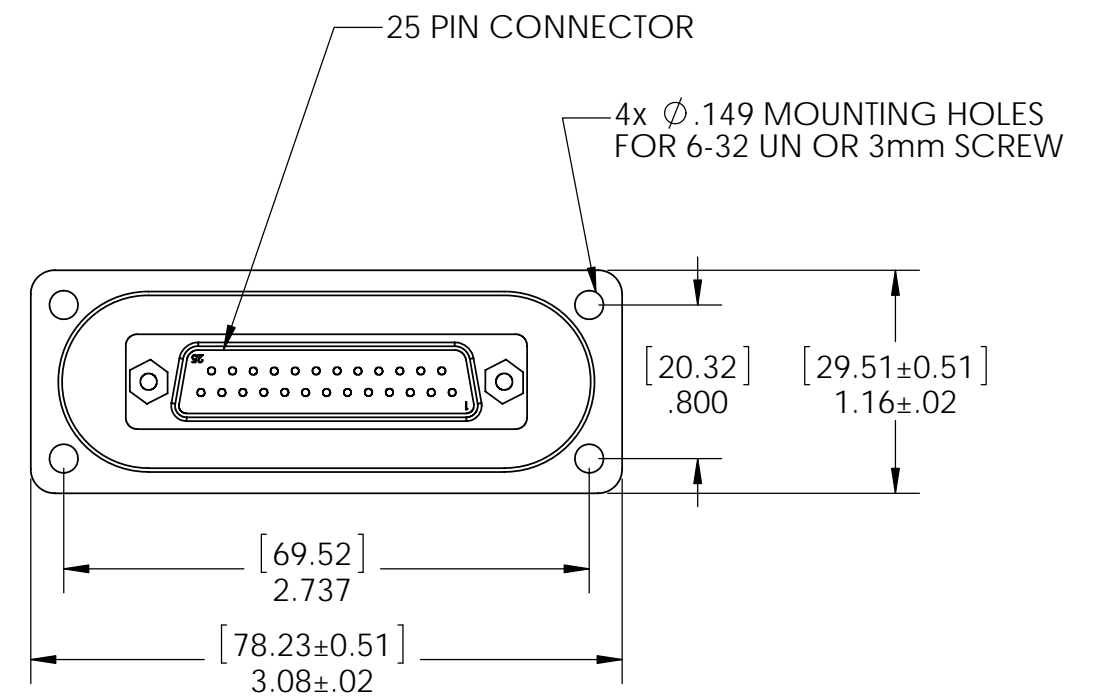
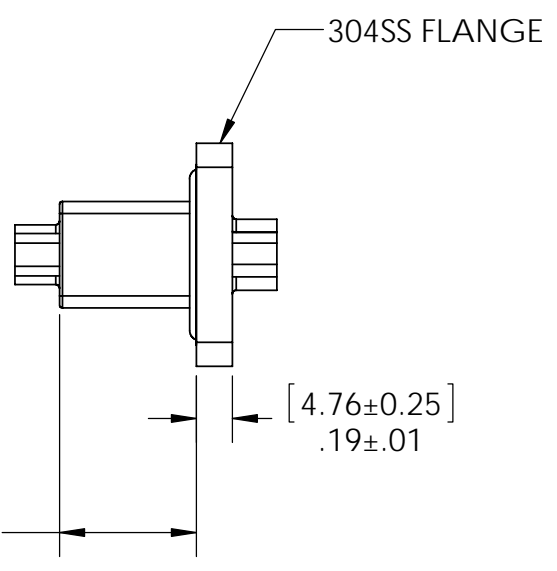
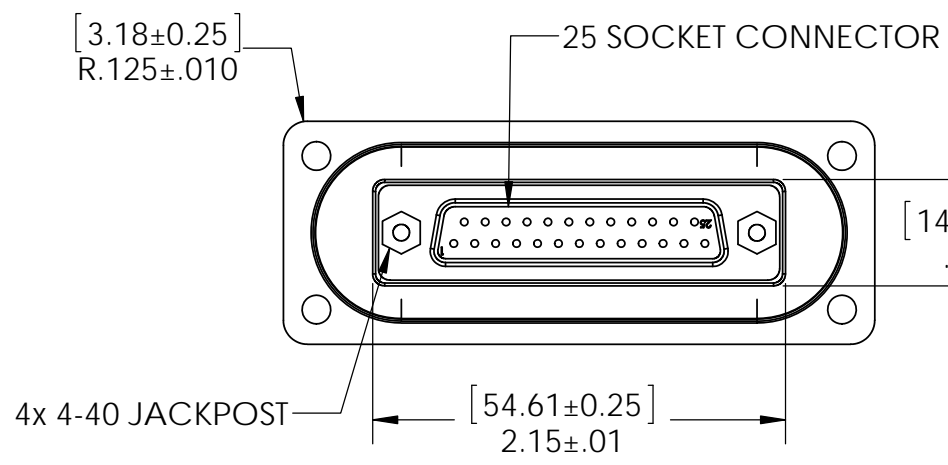
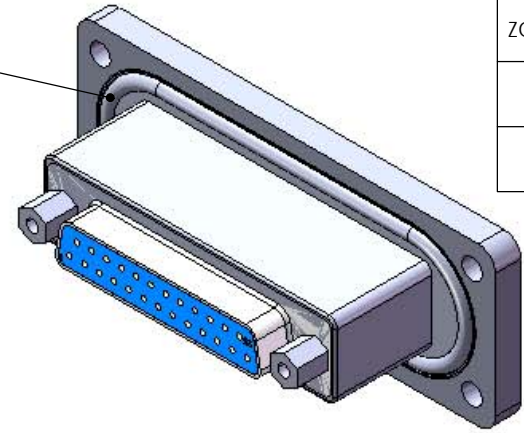


REVISIONS				
ZONE	REV.	DESCRIPTION	DATE	APPROVED
	A	INITIAL RELEASE	10/19/2014	BS
	B	CORRECTED TEMPERATURE RANGE	10/24/2014	BS

2-134 VITON O-RING



NOTES:

1. ODD CIRCUITS 1, 3, 5, ...25 WITH CHROMEL CONTACTS AND WIRE. EVEN CIRCUITS 2, 4, 6, ...24 WITH ALUMEL CONTACTS AND WIRE.
2. HELIUM LEAK TEST @ 1 ATM 1X10⁻⁸ STD-CC/SEC OR BETTER, VACUUM ON O-RING SIDE.
3. HYPOT 500VDC 500 MEGOHMS .01 SECOND MINIMUM.
4. CONTINUITY TEST <3 Ohms CONNECTOR SHELL TO CONNECTOR SHELL (ISOLATED FROM SS FLANGE).
5. SEAL OPERATING TEMPERATURE -20C TO 130C.
6. SEE DRAWING CCSDxxF (25 PIN) FOR BULKHEAD CUTOUT.
7. DIMENSIONS ARE INCHES [MILLIMETERS], MILLIMETERS SHOWN FOR REFERENCE ONLY.
8. CUSTOM SIZES, WIRE OR FIBER OPTIC CONFIGURATIONS, & TESTS AVAILABLE, PLEASE CONTACT RHS FOR MORE INFORMATION.

UNLESS OTHERWISE SPECIFIED:	NAME	DATE	 Jersey City, NJ, USA 888-747-3250	
DIMENSIONS ARE IN INCHES	DRAWN	MM		10/19/14
TOLERANCES:	CHECKED	BS		10/19/14
FRACTIONAL ±1/16	ENG APPR.	MM		10/19/14
ANGULAR ±.5	MFG APPR.			
X. ±1 .X ±.1	Q.A.			
.XX ±.02 .XXX ±.005	PROPRIETARY AND CONFIDENTIAL THE INFORMATION CONTAINED IN THIS DRAWING IS THE SOLE PROPERTY OF RELIABLE HERMETIC SEALS. ANY REPRODUCTION IN PART OR AS A WHOLE WITHOUT THE WRITTEN PERMISSION OF RELIABLE HERMETIC SEALS IS PROHIBITED.		TITLE: CONNECTOR SEAL CCSD25F-S1P1P1V TYPE K	
INTERPRET GEOMETRIC TOLERANCING PER:	SIZE	DWG. NO.	REV	
MATERIAL	B	80088	B	
SEE ABOVE	SCALE: 1:1	WEIGHT:	SHEET 1 OF 1	
FINISH				
DO NOT SCALE DRAWING				