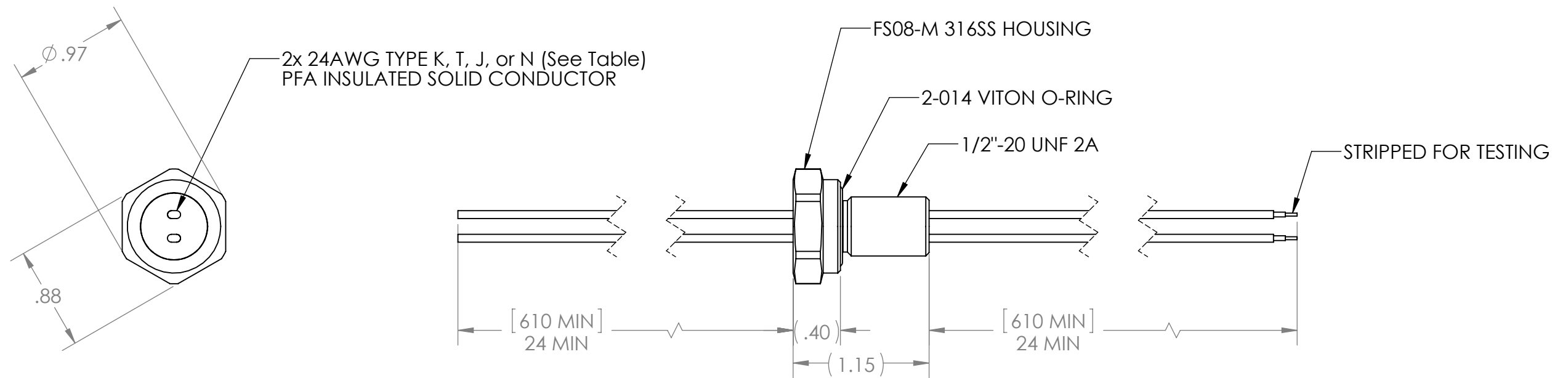



| REVISIONS | | | | |
|-----------|------|-----------------|-------------|----------|
| ZONE | REV. | DESCRIPTION | DATE | APPROVED |
| | A | INITIAL RELEASE | 07-Feb-2021 | MN |



| PART NUMBER | TITLE | WIRE TYPE |
|-------------|---|-----------|
| 60684-K | CABLE SEAL FS08-M SS316 (2P)#24 TYPE K PFA 24-24 | TYPE K |
| 60684-T | CABLE SEAL FS08-M SS316 (2P)#24 TYPE T PFA 24-24 | TYPE T |
| 60684-J | CABLE SEAL FS08-M SS316 (2P)#24 TYPE J PFA 24-24 | TYPE J |
| 60684-N | CABLE SEAL FS08-M SS316 (2P)#24 TYPE N PFA 24-24 | TYPE N |

- NOTES:
1. HELIUM LEAK TEST @ 1 ATM 1X10⁻⁸ STD-CC/SEC OR BETTER, VACUUM ON THREAD SIDE.
 2. HYPOT 300VDC 300 MEGOHMS 1 SECOND MINIMUM.
 3. SEAL OPERATING TEMPERATURE -20C TO 130C (WIRE TEMPERATURE RATING IS 250C).
 4. ASSEMBLY SUPPLIED WITH 304SS JAM NUT (0.68[17.5] HEX FLATS X 0.25[6.4] THICK).
 5. DIMENSIONS ARE INCHES [MILLIMETERS], MILLIMETERS SHOWN FOR REFERENCE ONLY.
 6. CUSTOM SIZES, WIRE OR FIBER OPTIC CONFIGURATIONS, & TESTS AVAILABLE, PLEASE CONTACT RHS FOR MORE INFORMATION.

| | | | | |
|--------------------------------------|---|--------------|---|-----------|
| UNLESS OTHERWISE SPECIFIED: | NAME | DATE |  | |
| DIMENSIONS ARE IN INCHES | DRAWN | MM | | 07FEB2021 |
| TOLERANCES: | CHECKED | | | |
| FRACTIONAL ±1/16 | ENG APPR. | MN | | 07FEB2021 |
| ANGULAR ±.5 | MFG APPR. | | | |
| X. ±1 .X ±.1 | Q.A. | | | |
| .XX ±.02 .XXX ±.005 | PROPRIETARY AND CONFIDENTIAL THE INFORMATION CONTAINED IN THIS DRAWING IS THE SOLE PROPERTY OF RELIABLE HERMETIC SEALS. ANY REPRODUCTION IN PART OR AS A WHOLE WITHOUT THE WRITTEN PERMISSION OF RELIABLE HERMETIC SEALS IS PROHIBITED. | | | |
| INTERPRET GEOMETRIC TOLERANCING PER: | SIZE | DWG. NO. | REV | |
| MATERIAL | B | 60684 | A | |
| SEE ABOVE | SCALE: 1:1 | WEIGHT: | SHEET 1 OF 1 | |
| FINISH | SEE TABLE FOR FULL PART NUMBER | | | |
| N/A | | | | |
| DO NOT SCALE DRAWING | | | | |