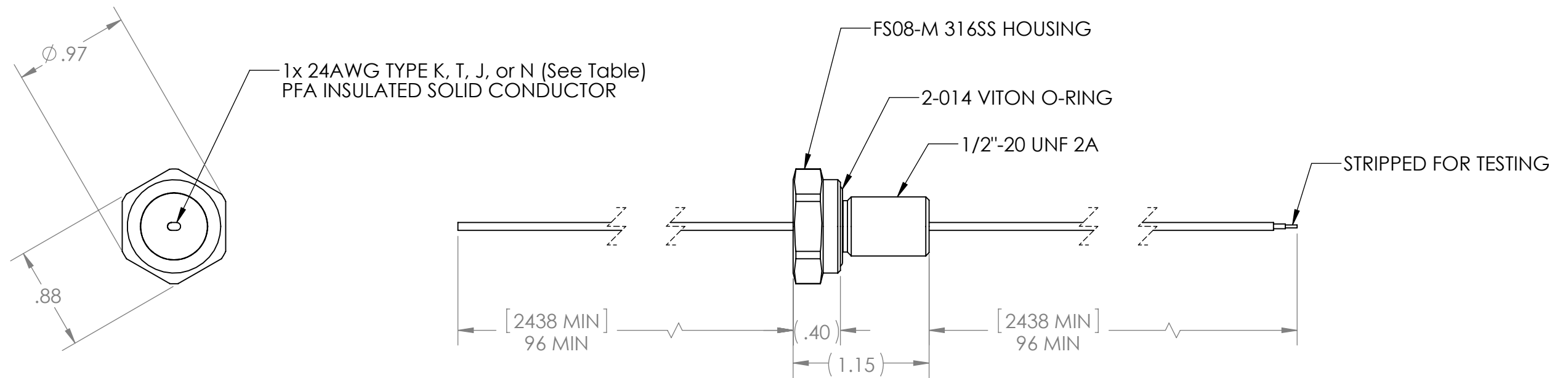


REVISIONS				
ZONE	REV.	DESCRIPTION	DATE	APPROVED
	A	INITIAL RELEASE	07-Feb-2021	MN



PART NUMBER	TITLE	WIRE TYPE
60687-K	CABLE SEAL FS08-M SS316 (1P)#24 TYPE K PFA 96-96	TYPE K
60687-T	CABLE SEAL FS08-M SS316 (1P)#24 TYPE T PFA 96-96	TYPE T
60687-J	CABLE SEAL FS08-M SS316 (1P)#24 TYPE J PFA 96-96	TYPE J
60687-N	CABLE SEAL FS08-M SS316 (1P)#24 TYPE N PFA 96-96	TYPE N

NOTES:
 1. HELIUM LEAK TEST @ 1 ATM 1X10⁻⁸ STD-CC/SEC OR BETTER, VACUUM ON THREAD SIDE.
 2. HYPOT 300VDC 300 MEGOHMS 1 SECOND MINIMUM.
 3. SEAL OPERATING TEMPERATURE -20C TO 130C (WIRE TEMPERATURE RATING IS 250C).
 4. ASSEMBLY SUPPLIED WITH 304SS JAM NUT (0.68[17.5] HEX FLATS X 0.25[6.4] THICK).
 5. DIMENSIONS ARE INCHES [MILLIMETERS], MILLIMETERS SHOWN FOR REFERENCE ONLY.
 6. CUSTOM SIZES, WIRE OR FIBER OPTIC CONFIGURATIONS, & TESTS AVAILABLE, PLEASE CONTACT RHS FOR MORE INFORMATION.

UNLESS OTHERWISE SPECIFIED:		NAME	DATE
DIMENSIONS ARE IN INCHES		DRAWN	MM 07FEB2021
TOLERANCES:		CHECKED	
FRACTIONAL ±1/16		ENG APPR.	MN 07FEB2021
ANGULAR ±.5		MFG APPR.	
X. ±1 .X ±.1		Q.A.	
.XX ±.02 .XXX ±.005		PROPRIETARY AND CONFIDENTIAL	
INTERPRET GEOMETRIC TOLERANCING PER:		THE INFORMATION CONTAINED IN THIS DRAWING IS THE SOLE PROPERTY OF RELIABLE HERMETIC SEALS. ANY REPRODUCTION IN PART OR AS A WHOLE WITHOUT THE WRITTEN PERMISSION OF RELIABLE HERMETIC SEALS IS PROHIBITED.	
MATERIAL SEE ABOVE		SIZE	DWG. NO.
FINISH N/A		B	60687
DO NOT SCALE DRAWING		SEE TABLE FOR FULL PART NUMBER	REV A
		SCALE: 1:1	WEIGHT:
		SHEET 1 OF 1	



TITLE: CABLE SEAL FS08-M SS316 (1P)#24 TYPE (SEE TABLE) PFA 96-96