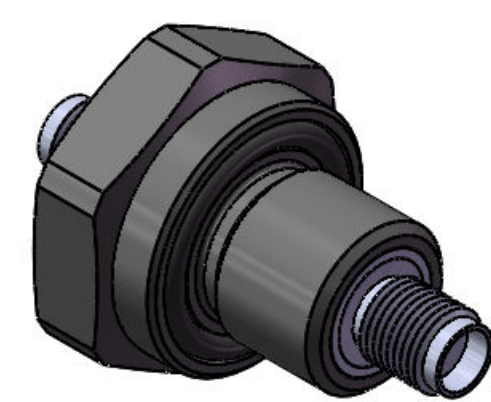
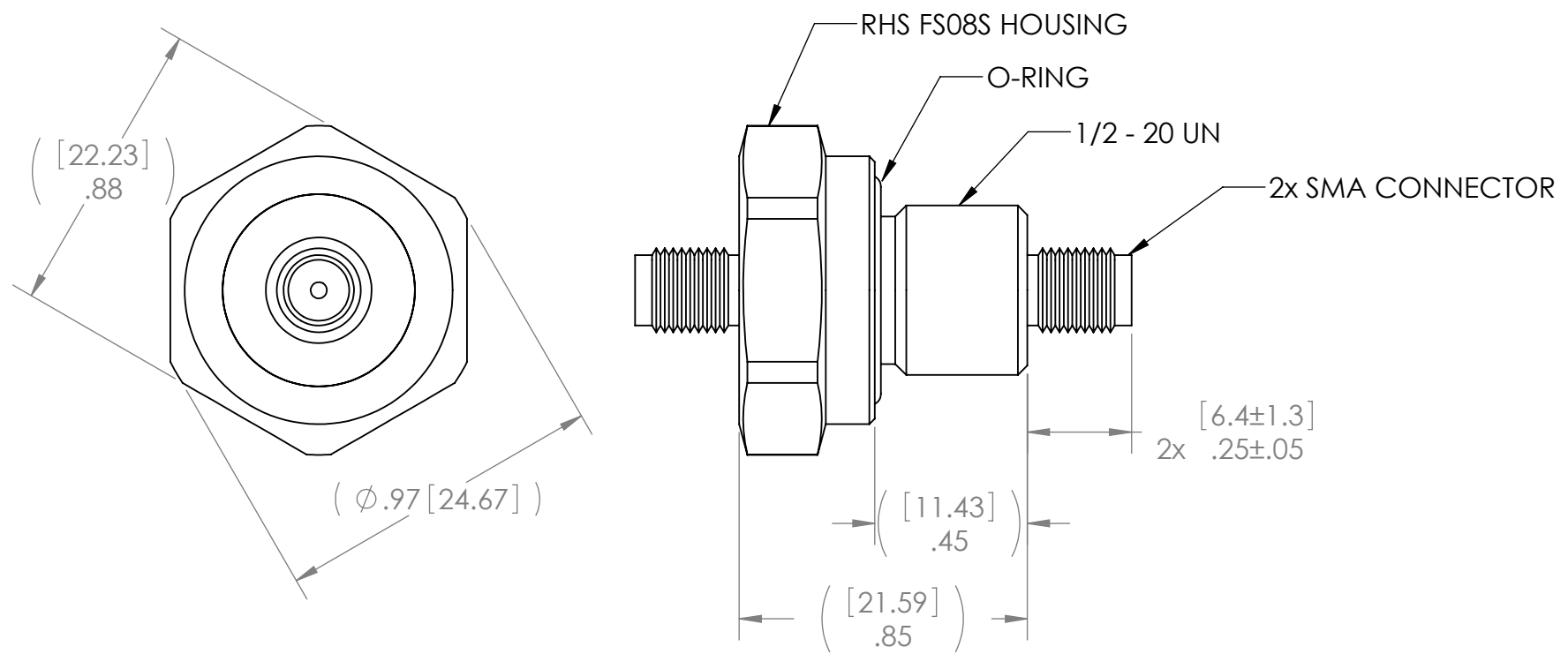


**RoHS COMPLIANT**

REVISIONS				
ZONE	REV.	DESCRIPTION	DATE	APPROVED
	A	ADDED LEAK TEST OPTION #8	2/20/2009	BS
	B	ADDED LEAK TEST OPTION #9	7/19/2016	BS



**NOTES:**

- PART TESTED PER PART NUMBER AND HERMETIC SEAL SPECIFICATIONS.
- SEE SECOND PAGE** FOR COMPLETE HOUSING DIMENSIONS, OTHER FS08 HOUSING SIZES, AND INSTALLATION METHODS.
- CUSTOM SIZES, MATERIALS, & TESTS AVAILABLE, PLEASE CONTACT RHS FOR MORE INFORMATION.
- DIMENSIONS INCHES [MILLIMETERS], MILLIMETERS SHOWN FOR REFERENCE ONLY.

SAMPLE RHS PART#CCSMAFS08-SA130V1

**DETERMINING RHS PART#**

- **CC**=CONNECTOR TO CONNECTOR SEALS
- **SMA**=STANDARD SMA CONNECTORS
- **FS08**=STANDARD RHS FACE SEAL HOUSING WITH 1/2 - 20 UN THREAD
- **S**=.45 LONG THREAD OR **M**=.75 LONG THREAD
- **HOUSING MATERIAL:**
  - **S6**=316 STAINLESS STEEL, **A1**=6016 ALUMINUM, **B1**=BRASS, **I6**=600 INCOLNEL, OR **T2**=GRADE 2 TITANIUM
- **LEAK TESTING:**
  - **1**=HELIUM LEAK TEST @ 1 ATM 10x10<sup>-8</sup> STD-CC/SEC OR BETTER
  - **2**=100 PSI(6.9 BAR) AIR ON THREAD SIDE OF O-RING NO BUBBLES
  - **3**=100 PSI(6.9 BAR) AIR ON HEX SIDE OF O-RING NO BUBBLES
  - **4**=1000 PSI(69 BAR) AIR ON THREAD SIDE OF O-RING NO BUBBLES
  - **5**=1000 PSI(69 BAR) AIR ON HEX SIDE OF O-RING NO BUBBLES
  - **6**=2500 PSI(172 BAR) AIR ON THREAD SIDE OF O-RING NO BUBBLES
  - **7**=5000 PSI(345 BAR) AIR ON HEX SIDE OF O-RING NO BUBBLES
  - **8**=3500 PSI(243 BAR) AIR ON THREAD SIDE OF O-RING NO BUBBLES & HELIUM LEAK TEST @ 1 ATM 1x10<sup>-8</sup> STD-CC/SEC OR BETTER
  - **9**=145 PSI(10 BAR) AIR ON THREAD SIDE OF O-RING NO BUBBLES & HELIUM LEAK TEST @ 1 ATM 1x10<sup>-8</sup> STD-CC/SEC OR BETTER
- **0**=SMA BODY ISOLATED FROM HOUSING OR **1**=SMA BODY CONNECTED (SHORTED) TO HOUSING <200mOhms
- **O-RING MATERIAL:**
  - **A**=POLYACRYLATE, **B**=BUTYL, **C**=CLOROPRENE, **E**=ETHYLENE-PROPYLENE, **G**=STYRENE BUTADIENE, **L**=FLUOROSILICONE, **N**=ACRYLONITRILE BUTADIENE (NITRILE), **P**=POLYURETHANE, **S**=SILICONE, **V**=FLUOROCARBON (VITON), **Y**=EPICHLOROHYDRIN, **Z**=EXOTIC OR SPECIALTY
- **0**=ASSEMBLY SHIPPED WITH SIMILAR METAL JAM NUT OR **1**=ASSEMBLY SHIPPED W/O JAM NUT

HERMETIC SEAL SPECIFICATIONS	
<b>LEAK:</b>	
LEAK TEST	SEE RHS PART#
<b>ELECTRICAL:</b>	
IMPEDANCE	50 Ohms
INSULATION RESISTANCE TEST (CONDUCTOR TO CONDUCTOR)	>500 MOhms @ 500 VDC
CONDUCTOR END TO END RESISTANCE TEST	<50 mOhms
<b>ENVIRONMENTAL:</b>	
TEMPERATURE RANGE (O-RING DEPENDANT)	-55°C TO 125°C (-67°F TO 221°F)

UNLESS OTHERWISE SPECIFIED:	
DIMENSIONS ARE IN INCHES	
TOLERANCES:	
FRACTIONAL ±1/16	
ANGULAR ±.5	
X. ±1 .X ±.1	
.XX ±.02 .XXX ±.005	
DIMENSIONS ARE SUBJECT TO CHANGE WITHOUT NOTICE	
INTERPRET GEOMETRIC TOLERANCING PER:	
MATERIAL	SEE PART#
FINISH	N/A
DO NOT SCALE DRAWING	

NAME	DATE	
DRAWN		
CHECKED		
ENG APPR.		
MFG APPR.		TITLE:
Q.A.		HERMETIC CONNECTOR SMA
<b>PROPRIETARY AND CONFIDENTIAL</b> THE INFORMATION CONTAINED IN THIS DRAWING IS THE SOLE PROPERTY OF RELIABLE HERMETIC SEALS. ANY REPRODUCTION IN PART OR AS A WHOLE WITHOUT THE WRITTEN PERMISSION OF RELIABLE HERMETIC SEALS IS PROHIBITED.		SIZE DWG. NO. REV <b>B</b> <b>CCSMAFS08</b> <b>B</b>
SCALE: 2:1 WEIGHT:		SHEET 1 OF 1