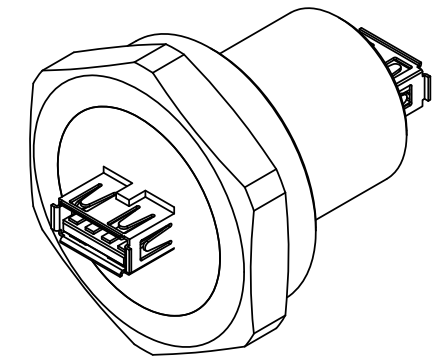
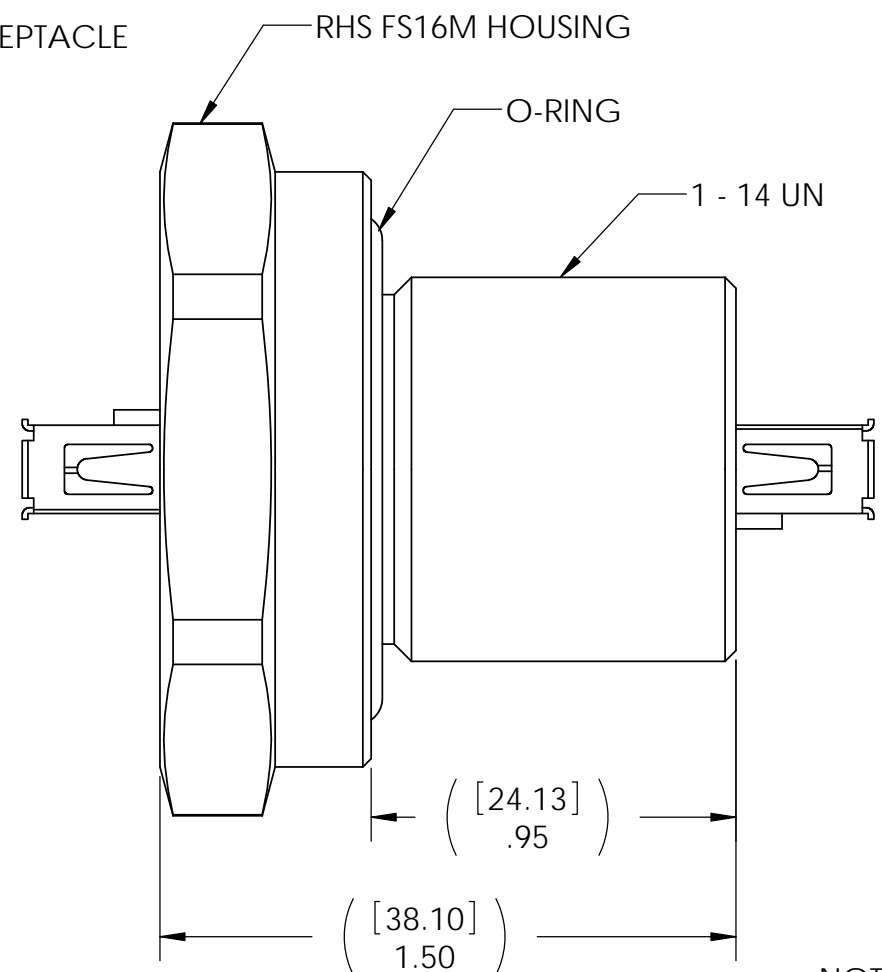
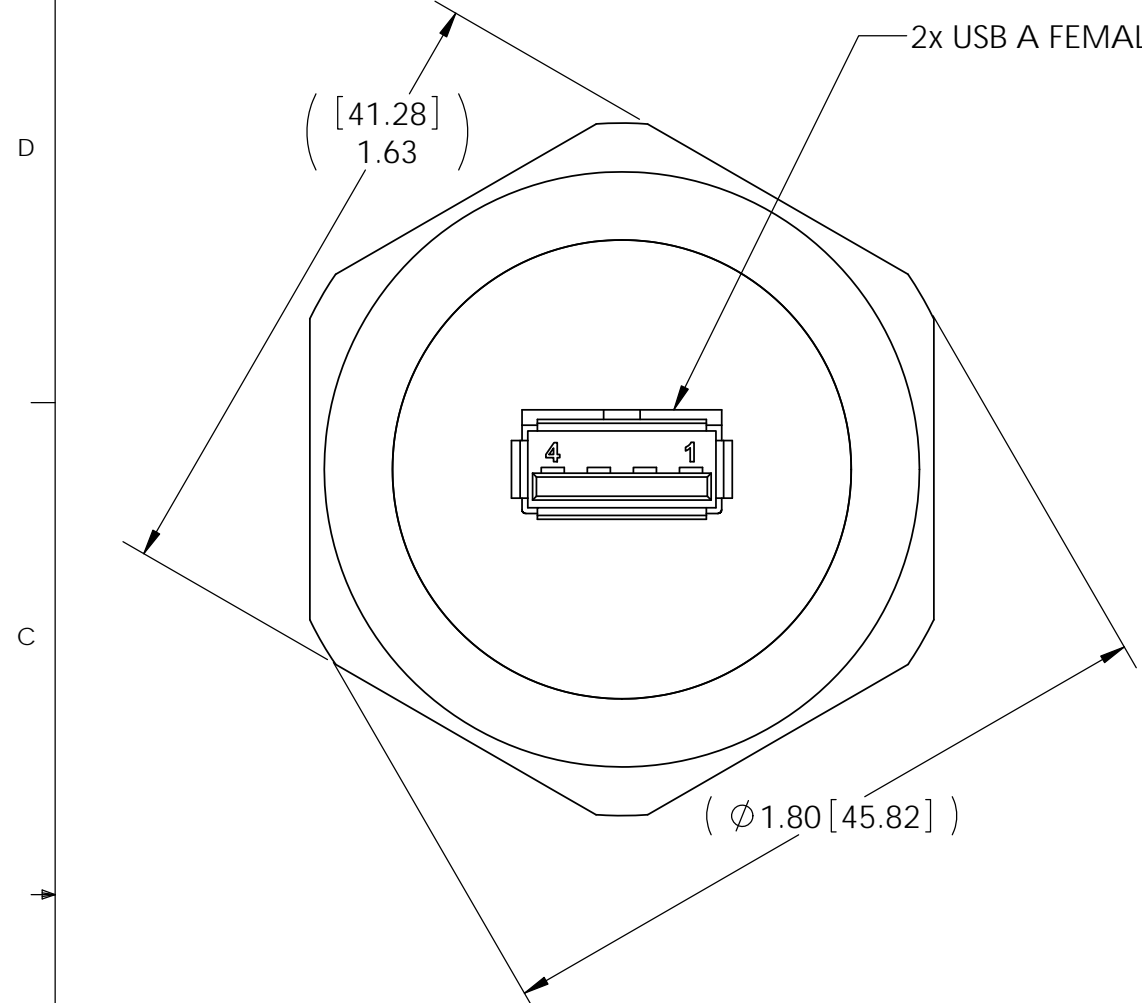


**RoHS COMPLIANT**

REVISIONS				
ZONE	REV.	DESCRIPTION	DATE	APPROVED
	A	INITIAL RELEASE	6/17/2011	BS



SCALE 1:1

PINOUT	
PIN HEX SIDE	PIN THREAD SIDE
1	1
2	2
3	3
4	4
SHIELD	SHIELD

SAMPLE RHS PART# CCUSBFS16-SA130V1

**DETERMINING RHS PART#**

- CC=CONNECTOR TO CONNECTOR SEALS
- RJ45=STANDARD RJ45 CONNECTORS
- FS16=STANDARD RHS FACE SEAL HOUSING WITH 1 - 14 UN THREAD
- S=.45 LONG THREAD OR M=.95 LONG THREAD
- HOUSING MATERIAL:
  - S6=316 STAINLESS STEEL, A1=6016 ALUMINUM, B1=BRASS, I6=600 INCOLNEL, OR T2=GRADE 2 TITANIUM
- LEAK TESTING:
  - 1=HELIUM LEAK TEST @ 1 ATM  $10 \times 10^{-8}$  STD-CC/SEC OR BETTER
  - 2=100 PSI(6.9 BAR) AIR ON THREAD SIDE OF O-RING NO BUBBLES
  - 3=100 PSI(6.9 BAR) AIR ON HEX SIDE OF O-RING NO BUBBLES
  - 4=1000 PSI(69 BAR) AIR ON THREAD SIDE OF O-RING NO BUBBLES
  - 5=1000 PSI(69 BAR) AIR ON HEX SIDE OF O-RING NO BUBBLES
  - 6=2500 PSI(172 BAR) AIR ON THREAD SIDE OF O-RING NO BUBBLES
  - 7=5000 PSI(345 BAR) AIR ON HEX SIDE OF O-RING NO BUBBLES
  - 8=3500 PSI(243 BAR) AIR ON THREAD SIDE OF O-RING NO BUBBLES & HELIUM LEAK TEST @ 1 ATM  $10 \times 10^{-9}$  STD-CC/SEC OR BETTER
  - 9=HELIUM LEAK TEST @ 1 ATM  $10 \times 10^{-9}$  STD-CC/SEC OR BETTER
- 0=RJ45 BODY ISOLATED FROM HOUSING OR 1=RJ45 BODY CONNECTED (SHORTED) TO HOUSING <200mOhms
- O-RING MATERIAL:
  - A=POLYACRYLATE, B=BUTYL, C=CLOROPRENE, E=ETHYLENE-PROPYLENE, G=STYRENE BUTADIENE, L=FLUOROSILICONE, N=ACRYLONITRILE BUTADIENE (NITRILE), P=POLYURETHANE, S=SILICONE, V=FLUOROCARBON (VITON), Y=EPICHLOROHYDRIN, Z=EXOTIC OR SPECIALTY
- 0=ASSEMBLY SHIPPED WITH JAM NUT OR 1=ASSEMBLY SHIPPED W/O JAM NUT

**NOTES:**

1. PART TESTED PER PART NUMBER AND HERMETIC SEAL SPECIFICATIONS.
2. CUSTOM SIZES, MATERIALS, & TESTS AVAILABLE, PLEASE CONTACT RHS FOR MORE INFORMATION.
3. DIMENSIONS INCHES [MILLIMETERS], MILLIMETERS SHOWN FOR REFERENCE ONLY.

**HERMETIC SEAL SPECIFICATIONS**

<b>LEAK:</b>	
LEAK TEST	SEE RHS PART#
<b>ELECTRICAL:</b>	
INSULATION RESISTANCE TEST (CONDUCTOR TO CONDUCTOR)	>500 MOhms @ 500 VDC
CONDUCTOR END TO END RESISTANCE TEST	<50 mOhms
<b>ENVIRONMENTAL:</b>	
TEMPERATURE RANGE (LOW TEMP O-RING DEPENDANT)	-55 °C TO 85 °C (-67 °F TO 185 °F)

UNLESS OTHERWISE SPECIFIED:	NAME	DATE
DIMENSIONS ARE IN INCHES	DRAWN	MM 6/17/2011
TOLERANCES:	CHECKED	BS 6/17/2011
FRACTIONAL $\pm 1/16$	ENG APPR.	
ANGULAR $\pm 5$	MFG APPR.	
X $\pm 1$ X $\pm 1$	Q.A.	
.XX $\pm .02$ .XXX $\pm .005$		
DIMENSIONS ARE SUBJECT TO CHANGE WITHOUT NOTICE		
INTERPRET GEOMETRIC TOLERANCING PER:		
MATERIAL	<b>PROPRIETARY AND CONFIDENTIAL</b>	
FINISH	THE INFORMATION CONTAINED IN THIS DRAWING IS THE SOLE PROPERTY OF RELIABLE HERMETIC SEALS. ANY REPRODUCTION IN PART OR AS A WHOLE WITHOUT THE WRITTEN PERMISSION OF RELIABLE HERMETIC SEALS IS PROHIBITED.	
DO NOT SCALE DRAWING		

**rhs**  
**RELIABLE HERMETIC SEALS**  
 Jersey City, NJ, USA 888-747-3250

TITLE:  
**HERMETIC CONNECTOR USB**

SIZE	DWG. NO.	REV
<b>B</b>	<b>CCUSBFS16</b>	<b>A</b>

SCALE: 2:1 WEIGHT: SHEET 1 OF 1