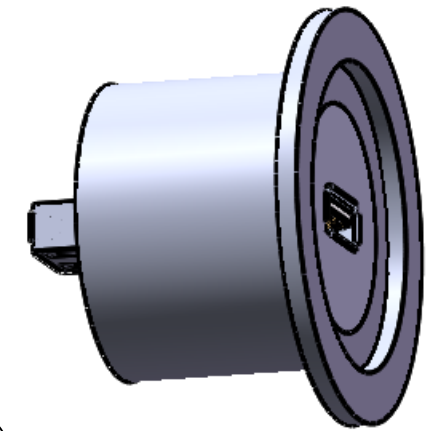
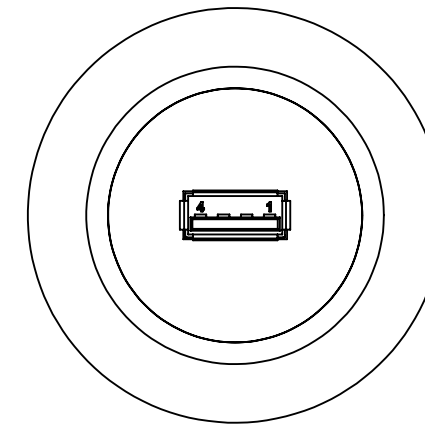
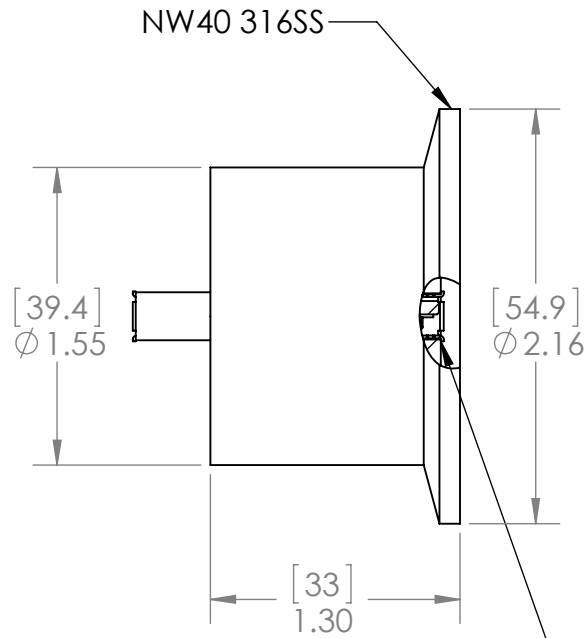
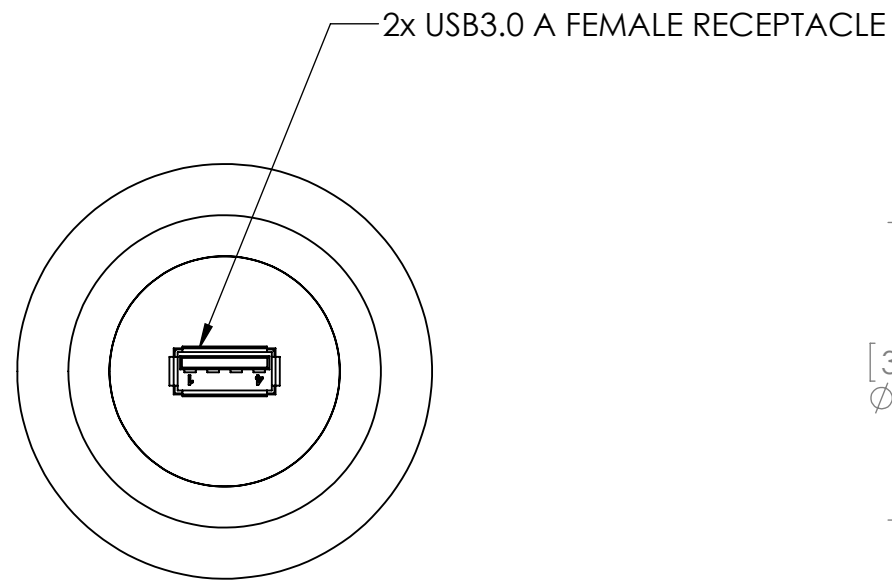


RoHS COMPLIANT

REVISIONS				
ZONE	REV.	DESCRIPTION	DATE	APPROVED
	A	INITIAL RELEASE	02-Feb-19	MN



CONNECTOR FLUSH WITH HOUSING END THIS SIDE

PINOUT	
HEX SIDE	THREAD SIDE
VBUS PIN 1	VBUS PIN 1
D- PIN 2	D- PIN 2
D+ PIN 3	D+ PIN 3
GROUND PIN 4	GROUND PIN 4
RECEIVE- PIN 5	SEND- PIN 8
RECEIVE+ PIN 6	SEND+ PIN 9
GROUND PIN 7	GROUND PIN 7
SEND- PIN 8	RECEIVE- PIN 5
SEND+ PIN 9	RECEIVE+ PIN 6
SHIELD	SHIELD

NOTES:

1. HELIUM LEAK TEST @ 1 ATM 1X10⁻⁸ STD-CC/SEC OR BETTER, VACUUM ON FLANGE SIDE.
2. HYPOT 100VDC 100 MEGOHMS 1 SECOND MINIMUM.
3. SEAL OPERATING TEMPERATURE -20C TO 130C (CONNECTOR 85C MAXIMUM).
4. DIMENSIONS ARE INCHES [MILLIMETERS], MILLIMETERS SHOWN FOR REFERENCE ONLY.
5. CUSTOM SIZES, WIRE OR FIBER OPTIC CONFIGURATIONS, & TESTS AVAILABLE, PLEASE CONTACT RHS FOR MORE INFORMATION.

UNLESS OTHERWISE SPECIFIED:		NAME	DATE
DIMENSIONS ARE IN INCHES		DRAWN	MM 02FEB2109
TOLERANCES:		CHECKED	
FRACTIONAL ±1/16		ENG APPR.	MM 02FEB2109
ANGULAR ±.5		MFG APPR.	
X. ±1 .X ±.1		Q.A.	
.XX ±.02 .XXX ±.005		PROPRIETARY AND CONFIDENTIAL	
DIMENSIONS ARE SUBJECT TO CHANGE WITHOUT NOTICE		THE INFORMATION CONTAINED IN THIS DRAWING IS THE SOLE PROPERTY OF RELIABLE HERMETIC SEALS. ANY REPRODUCTION IN PART OR AS A WHOLE WITHOUT THE WRITTEN PERMISSION OF RELIABLE HERMETIC SEALS IS PROHIBITED.	
INTERPRET GEOMETRIC TOLERANCING PER:		SIZE DWG. NO. REV	
MATERIAL NOTED		B 80203 A	
FINISH N/A		SCALE: 1:1 WEIGHT: SHEET 1 OF 1	
DO NOT SCALE DRAWING			



TITLE:		
CONNECTOR SEAL NW40 316SS USB3.0-USB3.0 HIGH SPEED		
SIZE	DWG. NO.	REV
B	80203	A
SCALE: 1:1	WEIGHT:	SHEET 1 OF 1