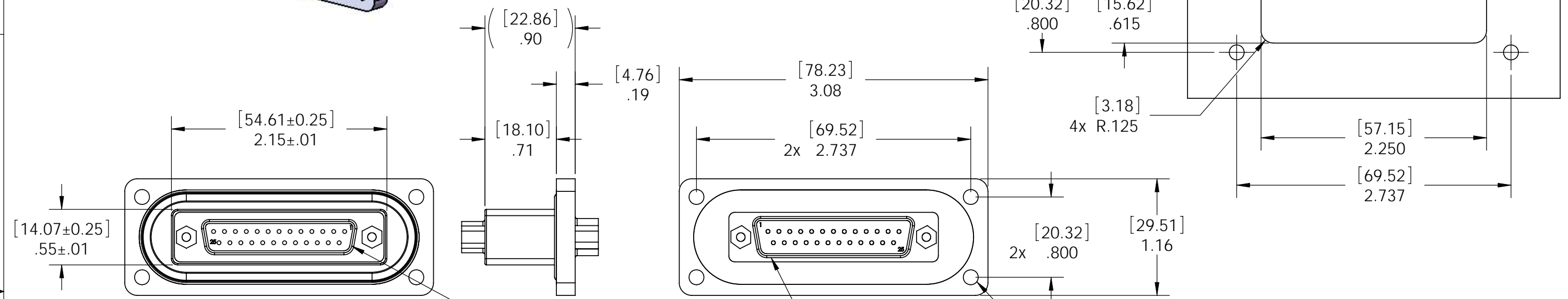
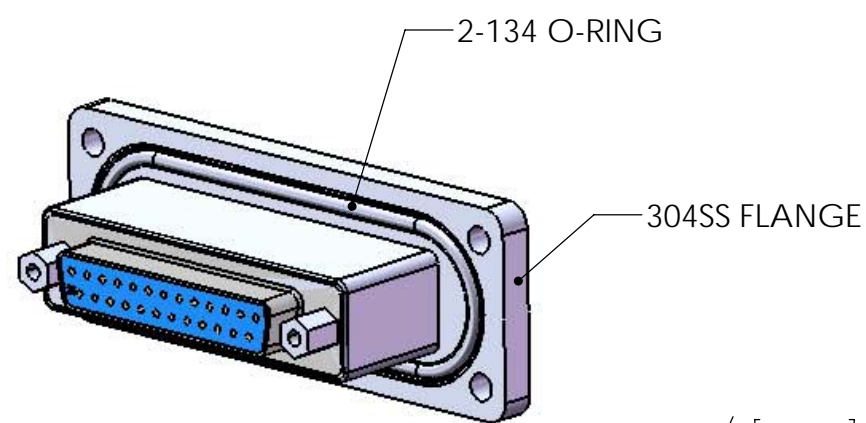


REVISIONS				
ZONE	REV.	DESCRIPTION	DATE	APPROVED
	A	ADD CONNECTOR INSULATION NOTE	1/8/2010	BS



6-32 UN OR 3 mm TAPPED HOLES MUST NOT BREAK THRU

CCSD25F INSTALLATION PORT

NOTE 4

MATES TO STANDARD D-SUB POLYPHENYLENE SULFIDE INSULATOR (PPS) FOR LOW OUTGASSING

4x Ø.149 MOUNTING HOLES FOR 6-32 UN OR 3 mm SCREW

- NOTES:
- PART TESTED PER PART NUMBER & HERMETIC SEAL SPECIFICATIONS.
 - PLEASE CONTACT RHS WITH ANY QUESTIONS.
 - CUSTOM SIZES & TESTS AVAILABLE, PLEASE CONTACT RHS FOR MORE INFORMATION.
 - FINISH REQUIRED UNDER FOOTPRINT OF SEAL ONLY.

HERMETIC SEAL SPECIFICATIONS	
LEAK:	
LEAK TEST	SEE RHS PART#
ELECTRICAL:	
CURRENT RATING	5 AMPS
INSULATION RESISTANCE TEST	500 MOhms @ 500 VDC
PIN TO PIN RESISTANCE TEST W/MATING CONNECTORS	<50 mOhms
ENVIRONMENTAL:	
TEMPERATURE RANGE (O-RING DEPENDANT)	-55 °C TO 125 °C (-67 °F TO 257 °F)

DETERMINING RHS PART#

- O-RING MATERIAL: A=POLYACRYLATE, B=BUTYL, C=CLOROPRENE, E=ETHYLENE-PROPYLENE, G=STYRENE BUTADIENE, L=FLUOROSILICONE, N=ACRYLONITRILE BUTADIENE (NITRILE), P=POLYURETHANE, S=SILICONE, V=FLUOROCARBON (VITON), Y=EPICHLOROHYDRIN, Z=EXOTIC OR SPECIALTY
- LEAK TESTING: 1=HELIUM LEAK TEST @ 1 ATM 10X10⁻⁹ STD-CC/SEC OR BETTER, 2=100 PSI(6.9 BAR) AIR ON O-RING SIDE NO BUBBLES, OR 3=250 PSI(17.2 BAR) AIR ON TOP SIDE
- 1=JACKPOSTS TOP SIDE 2=NO JACKPOSTS TOP SIDE
- P=PINS OR S=SOCKETS ON TOP SIDE
- 1=JACKPOSTS O-RING SIDE 2=NO JACKPOSTS O-RING SIDE
- P=PINS OR S=SOCKETS ON O-RING SIDE
- SD25F=FLANGE MOUNT STANDARD DENSITY 25 CIRCUIT D-SUB
- CC=CONNECTOR TO CONNECTOR SEALS

SAMPLE RHS PART#CCSD25F-P1S11N

START HERE

UNLESS OTHERWISE SPECIFIED:	NAME	DATE
DIMENSIONS ARE IN INCHES	DRAWN	BS 1/7/10
TOLERANCES:	CHECKED	MM 1/7/10
FRACTIONAL ±1/16	ENG APPR.	BS 1/7/10
ANGULAR ±.5	MFG APPR.	
X. ±1 .X ±.1	Q.A.	
.XX ±.02 .XXX ±.005	PROPRIETARY AND CONFIDENTIAL	
INTERPRET GEOMETRIC TOLERANCING PER:	THE INFORMATION CONTAINED IN THIS DRAWING IS THE SOLE PROPERTY OF RELIABLE HERMETIC SEALS. ANY REPRODUCTION IN PART OR AS A WHOLE WITHOUT THE WRITTEN PERMISSION OF RELIABLE HERMETIC SEALS IS PROHIBITED.	
MATERIAL	NOTED	
FINISH		
DO NOT SCALE DRAWING		



TITLE: CONNECTOR HERMETIC 25 CIRCUIT D-SUB		
SIZE B	DWG. NO. CCSD25F	REV A
SCALE: 1:1	WEIGHT:	SHEET 1 OF 1